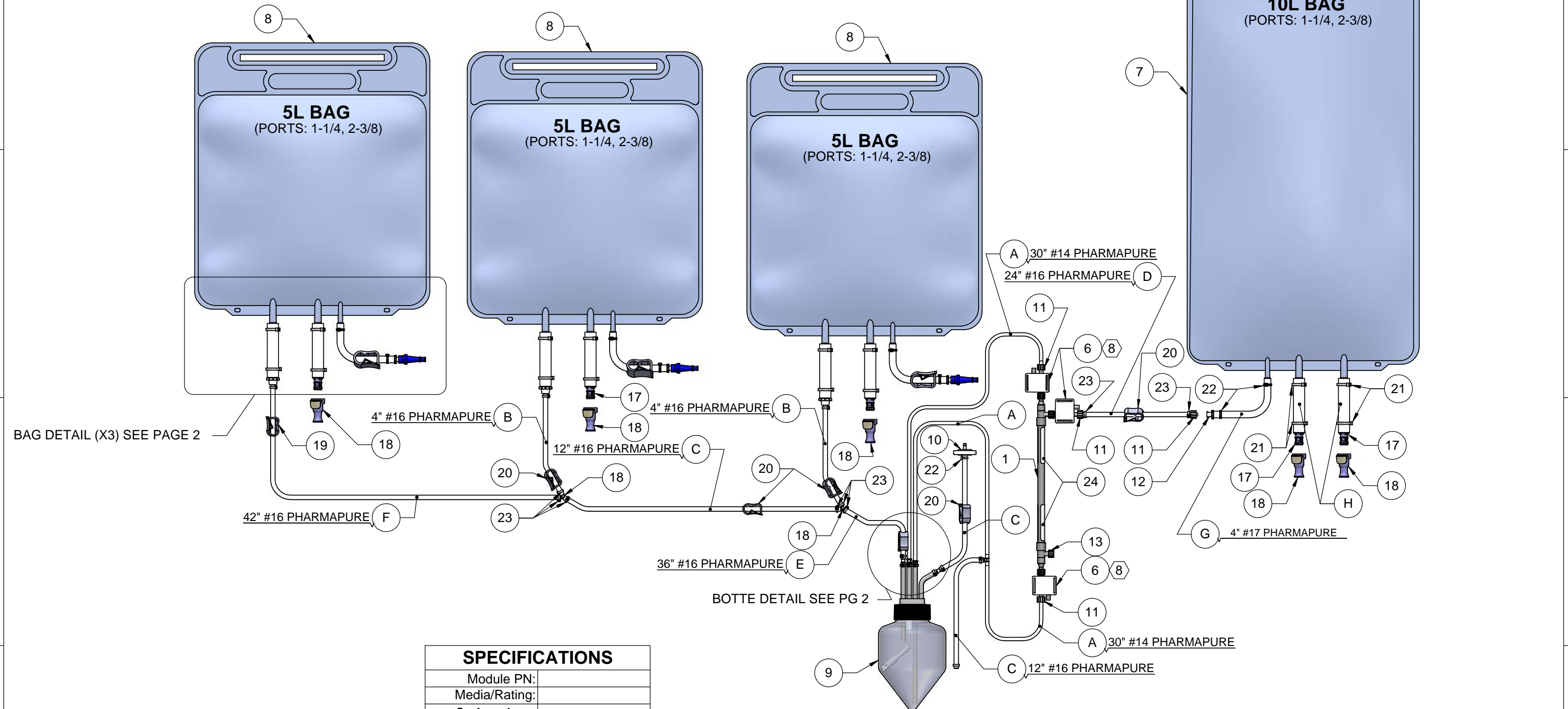


CUSTOMER APPROVAL	
NAME:	
SIGNATURE:	
DATE:	



SPECIFICATIONS	
Module PN:	
Media/Rating:	
Surface Area:	
UPC Number:	
Quantity Per Box:	2

CONFIDENTIAL Information contained in this document or drawing is confidential and proprietary to Spectrum. This document may not be reproduced for any reason without written permission from Spectrum. All rights of design, invention, and copyright are reserved.	APPROVALS	DATE
	DRAWN BY E. KNAPP	6/8/17
THIRD ANGLE PROJECTION 	CHECKED BY	
	APPROVED BY	
TOLERANCES UNLESS NOTED .XXXX ± .001 X ± 1° .XXX ± .005 .XX ± .010 .X ± .015 ALL DIMENSIONS ARE IN INCHES UNLESS NOTED	MATERIAL	N/A
	FINISH	N/A

TITLE: D02 MBT EXAMPLE		
DWG. NO.		REV. A
DO NOT SCALE DRAWING	SHEET SIZE B	SHEET 1 OF 2

CUSTOMER APPROVAL

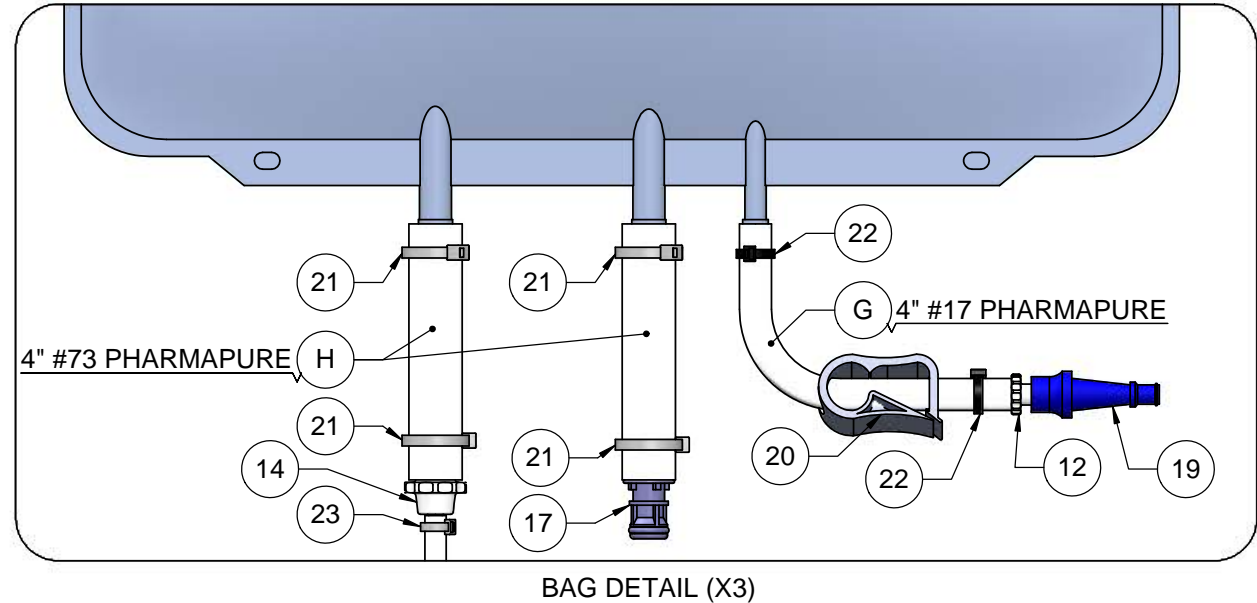
NAME: _____

SIGNATURE: _____

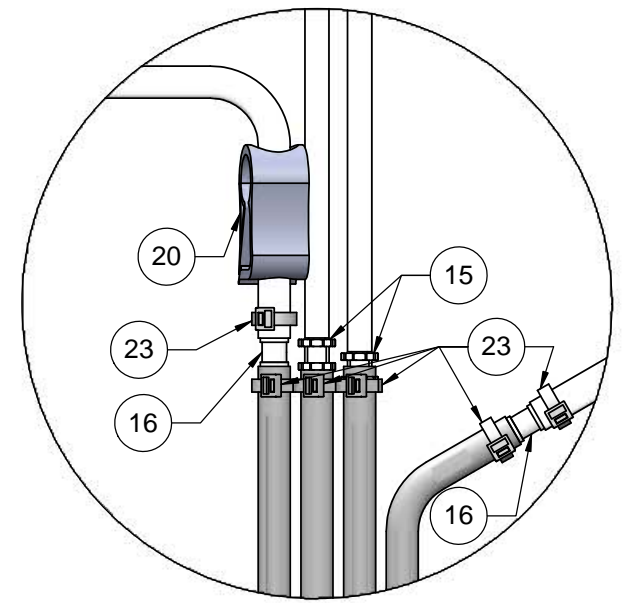
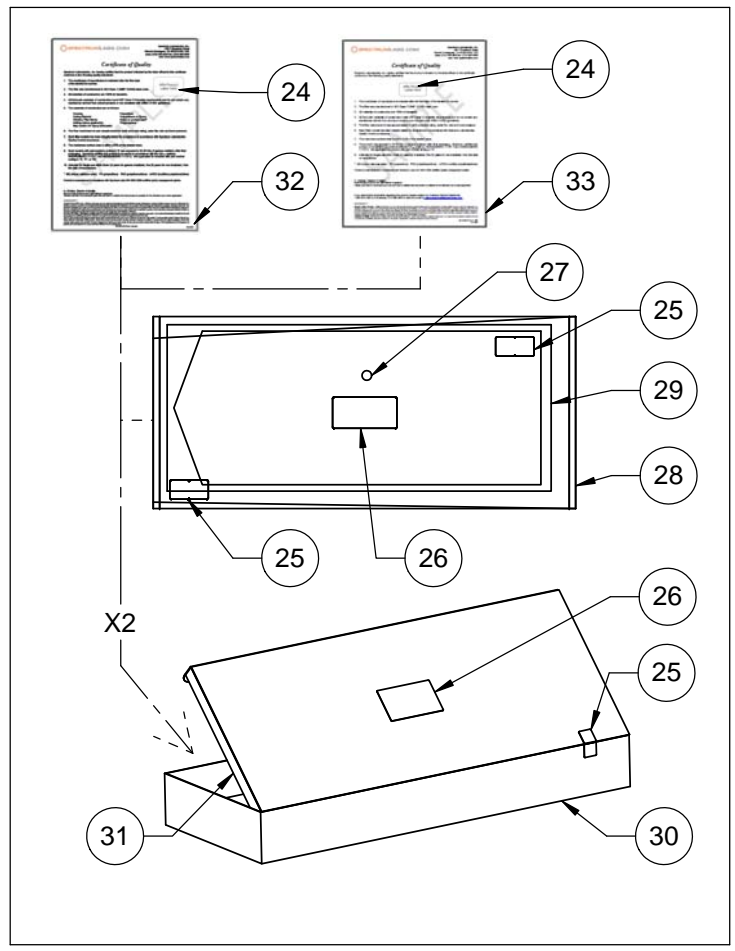
DATE: _____

REVISIONS HISTORY						
REV	DCO	DESCRIPTION OF CHANGES	BY	CHECKED	APPROVED	DATE
A			EJK			

CUT TUBING CHART							
2	#14 PHARMAPURE	3	#16 PHARMAPURE	4	#17 PHARMAPURE	5	#73 PHARMAPURE
	721-13119-002		721-01758-001		721-01758-002		721-01758-005
A	3 X 30"	B	2 X 4"	G	4 X 4"	H	8 X 4"
		C	3 X 12"				
		D	1 X 24"				
		E	1 X 36"				
		F	1 X 42"				



BILL OF MATERIAL:			
ITEM	QTY	U/M	DESCRIPTION
1	1	EA	FILTER MODULE
2	7.5	FT	PHARMAPURE TUBING, 0.06"ID X 0.185" OD, #14
3	12.2	FT	PHARMAPURE TUBING, 0.12"ID X 0.25" OD, #16
4	1.4	FT	PHARMAPURE TUBING, 0.25"ID X 0.375"OD, #17
5	2.7	FT	PHARMAPURE TUBING, 0.375"ID X 0.625" OD, #73
6	3	EA	PRESSURE SENSOR, POLYSULFONE
7	1	EA	TF LABTAINER, CX5-14, 10L
8	3	EA	TF LABTAINER, CX5-14, 5L
9	1	EA	500ML CONICAL BOTTOM RESERVOIR, 4 PORT, BENT INLET
10	1	EA	0.2UM AIR FILTER, 25MM, 1/8 HB
11	4	EA	MLL W 1/8" HB PP
12	4	EA	1/4" BARB TO FM LUER, NAT. POLYPROPYLENE
13	1	EA	MALE LUER CAP PP
14	3	EA	HB REDUCER, 3/8" X 1/8" PP
15	2	EA	HB REDUCER, 1/8" X 3/32" PP
16	2	EA	STRAIGHT THROUGH CONNECTOR, 1/8" HB
17	5	EA	MALE INSERT QDC 3/8" HB
18	5	EA	SEALING CAP
19	3	EA	CLAVE NEEDLE FREE CONNECTOR, NS
20	10	EA	PINCH CLAMP .200" TO .375" DIA. TUBE
21	16	EA	CABLE TIE, NYLON 7 1/2" LG. NATURAL
22	8	EA	CABLE TIE, NYLON 6/6, BLACK
23	18	EA	CABLE TIE, NYLON 6/6 WHITE
24	4	EA	GENERAL LABEL 1" X 2"
25	2.5	EA	WHOLE WHITE LABEL
26	1.5	EA	LABEL, LARGE, KROSFLO MBT DISPOSABLE MODULE-BAG-TUBING SET
27	1	EA	GAMMA RADIATION STERILIZATION INDICATOR LABEL
28	3.5	FT	20" LAYFLAT POLY TUBING 6MIL
29	1	EA	PERFECTFORM POUCH 48" x20"
30	0.5	EA	BOX, 46" X 18" X 5.5"
31	0.5	EA	CONVOLUTED FOAM SET, 2 SET 46X18
32	1	EA	COQ: MODULE
33	1	EA	COQ: MBT
34	6	EA	REUSABLE CABLE TIE (NOT SHOWN)



SCALE 2 : 3

CONFIDENTIAL

Information contained in this document or drawing is confidential and proprietary to Spectrum. This document may not be reproduced for any reason without written permission from Spectrum. All rights of design, invention, and copyright are reserved.

THIRD ANGLE PROJECTION

TOLERANCES UNLESS NOTED

.XXXX ± .001 X° ± 1°
 .XXX ± .005
 .XX ± .010
 .X ± .015

ALL DIMENSIONS ARE IN INCHES UNLESS NOTED

APPROVALS	DATE
DRAWN BY E. KNAPP	6/8/17
CHECKED BY	
APPROVED BY	
MATERIAL	N/A
FINISH	N/A

SPECTRUM LABS.COM

TITLE: **D02 MBT EXAMPLE**

DWG. NO. _____ REV. **A**

DO NOT SCALE DRAWING

SCALE NTS SHEET SIZE **B** SHEET 2 OF 2